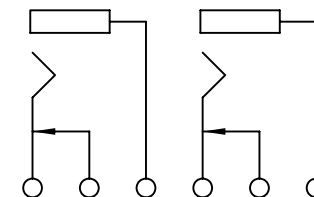
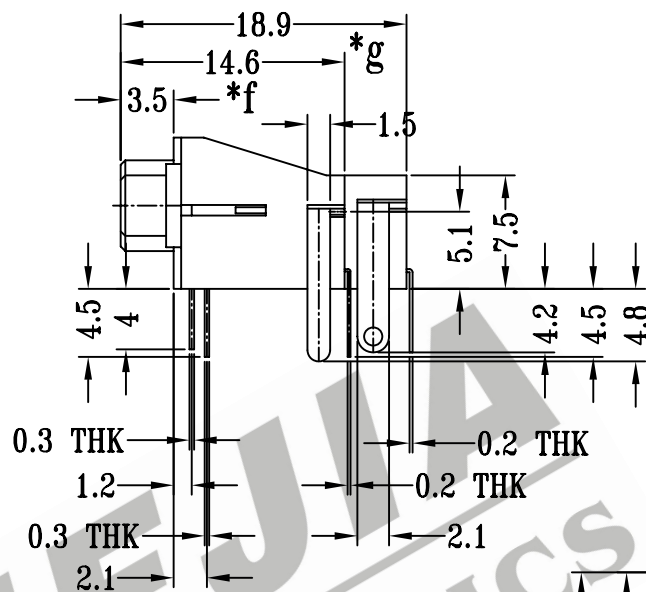
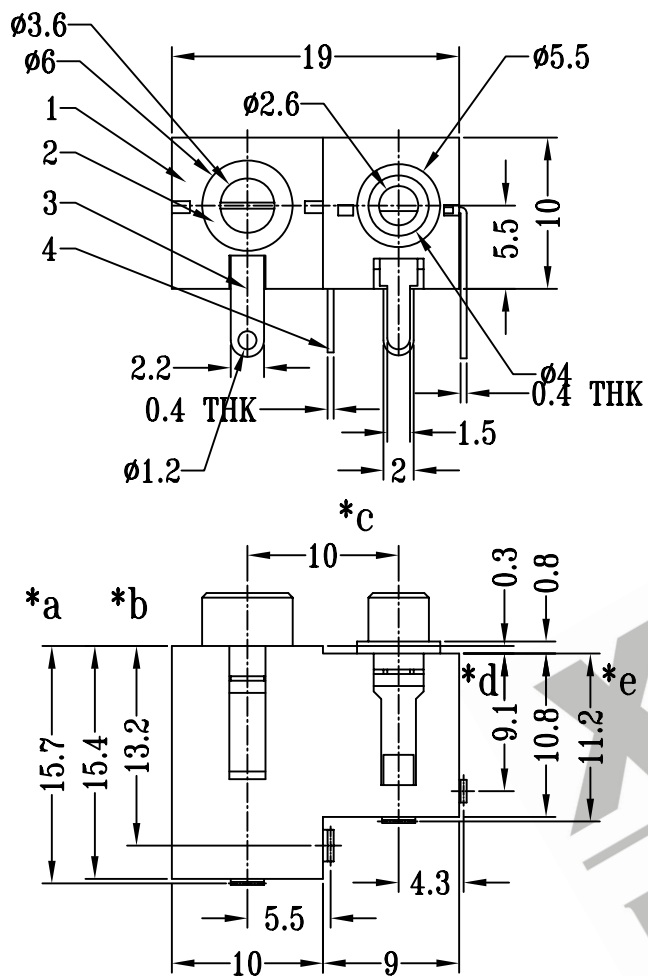
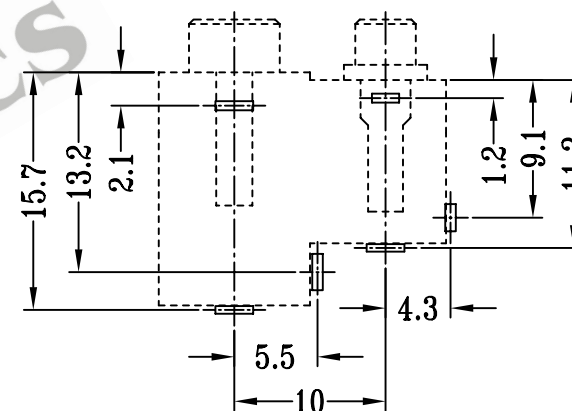


CAD FILE:



SCHEMATIC



P.C.B LAYOUT

BUSHING	UN-THREADED
BUSHING COLOR	NICKEL
CONTACTFORM	3

注:带"*"表示关键尺寸(6个)

NO.	PARTS	MATERIALS	Q'TY	FINISH	TOLERANCE UNLESS SPECIFIED	SHENZHEN XIEJIA ELECTRONICS CO.,LTD.				
8										
7										
6	SPRING TERMINAL	STAINLESS STEEL	1	Ag PLATED OVER Ni PLATED	WITHIN: 1.5 ±0.1mm	ISSUE	DATE	DESCRIPTIONS OF REVISION		APPD.
5	SPRING TERMINAL	PBS STRIP	1	Ag PLATED OVER Ni PLATED	OVER: 1.5 ±0.2mm					
4	TERMINAL B	BRASS STRIP	2	Ag PLATED OVER Ni PLATED	TITLE : PHONE JACK		UNIT : mm	DRWG NO.: XJ-DR-PY6401N-00		
3	TERMINAL A	BRASS STRIP	2	Ag PLATED OVRT Ni PLATED	MODEL: PY-6401N		SCALE: 2:1	DWN.	ZHOUYU	2001-11-29
2	SOCKET	BRASS	2	Ni PLATED				CHK'D	FANGYING	2001-11-29
1	CASE	PC	1	BLACK	ALL MATERIALS MUST BE COMPLIANT TO ROHS			APPD.	KANGXINAN	2001-11-29